

Crimppresse

Medical solutions

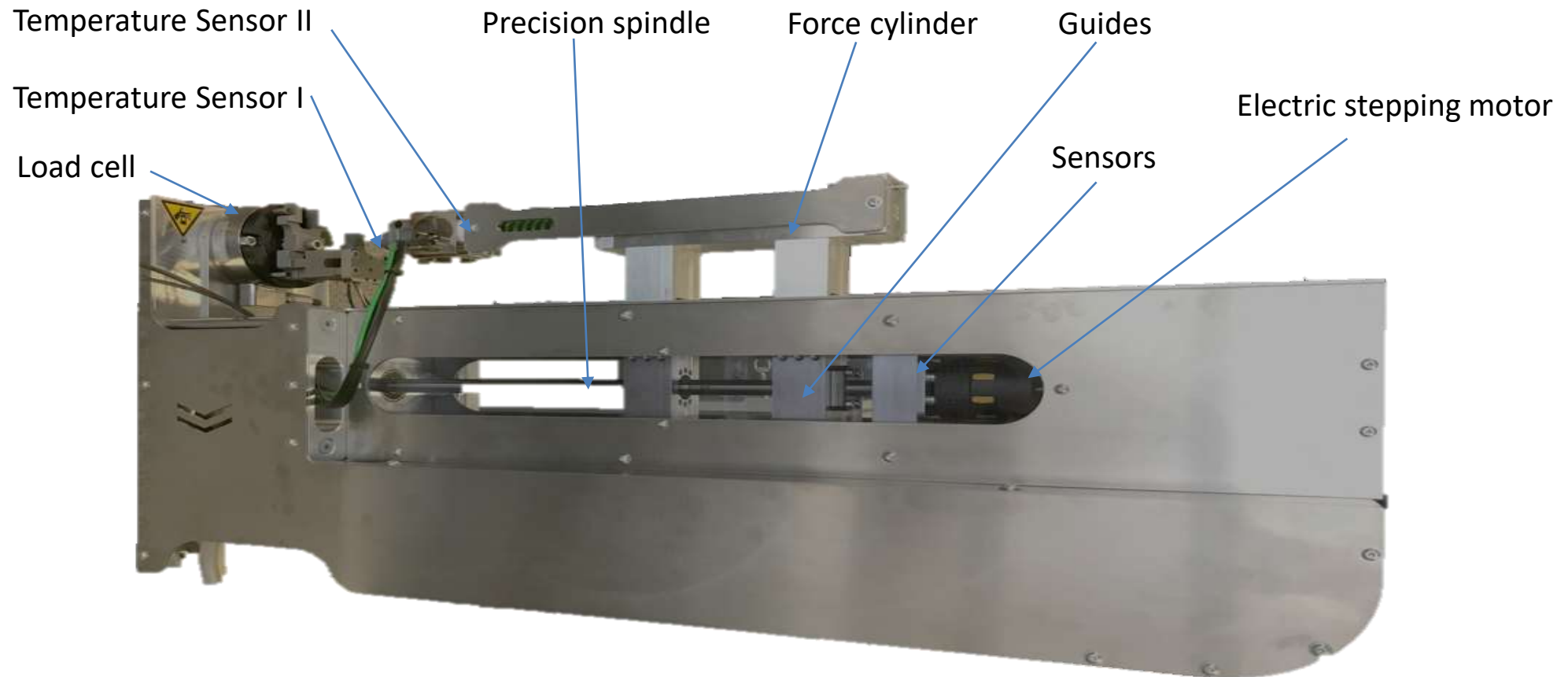
www.soga.de

Medical solutions - aus dem Zentrum der Präzisionstechnik Pforzheim

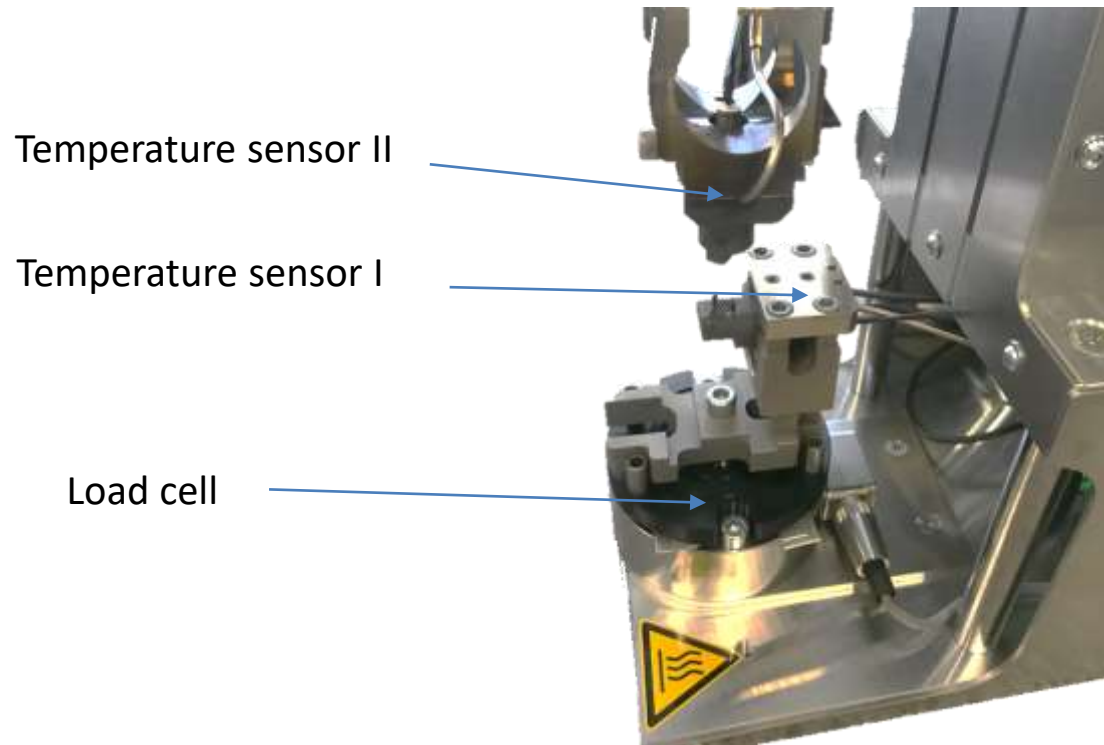
Technical facts:

- › Motor controlled crimping process
- › Force an torque controlled
- › High precision temperature heating system
- › SOGA heatcontroller Software
- › PLC based SOGA System
- › Software developed by SOGA
- › Safety integrated

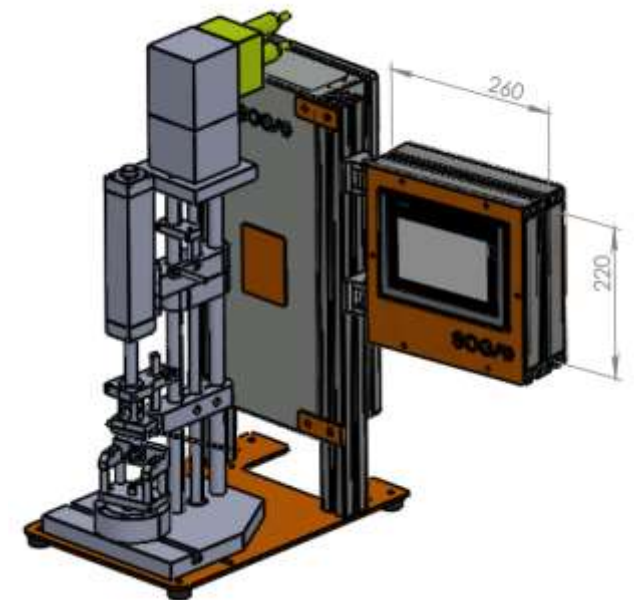
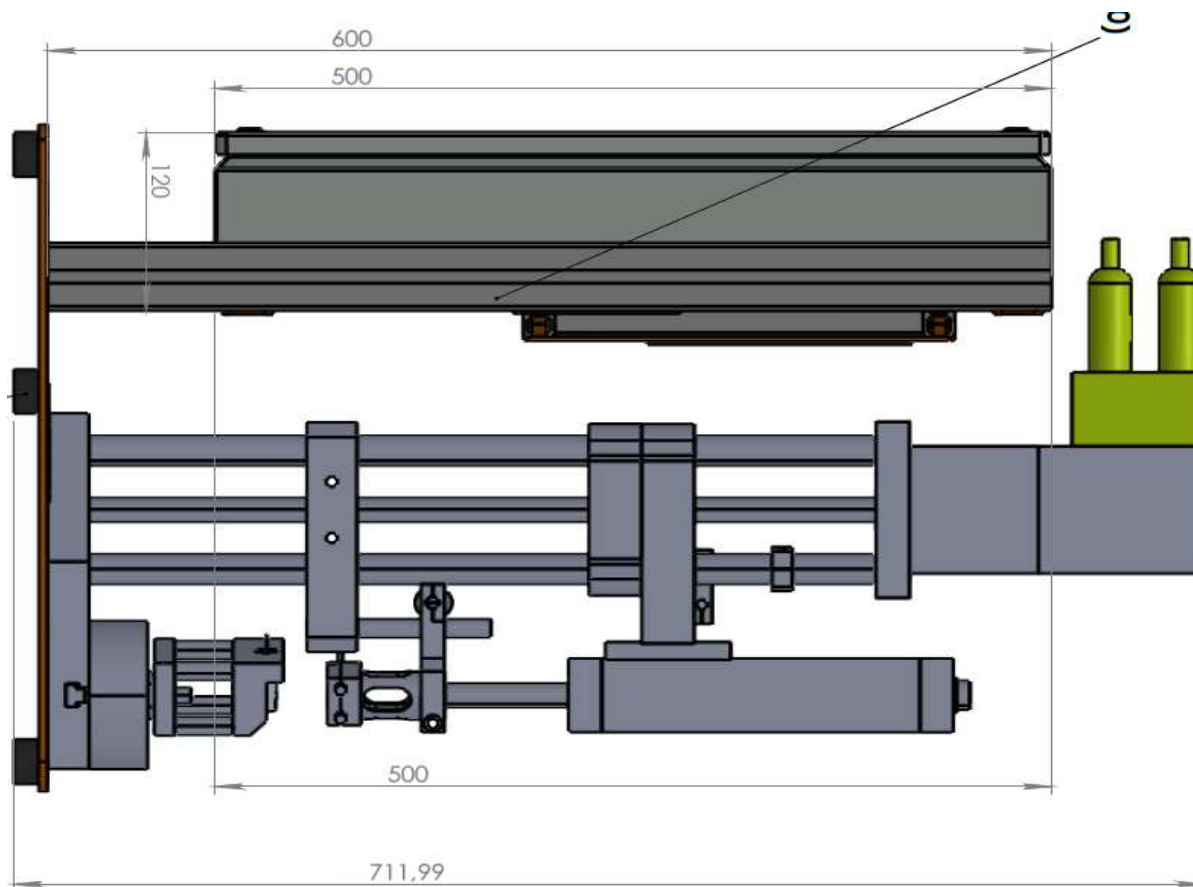




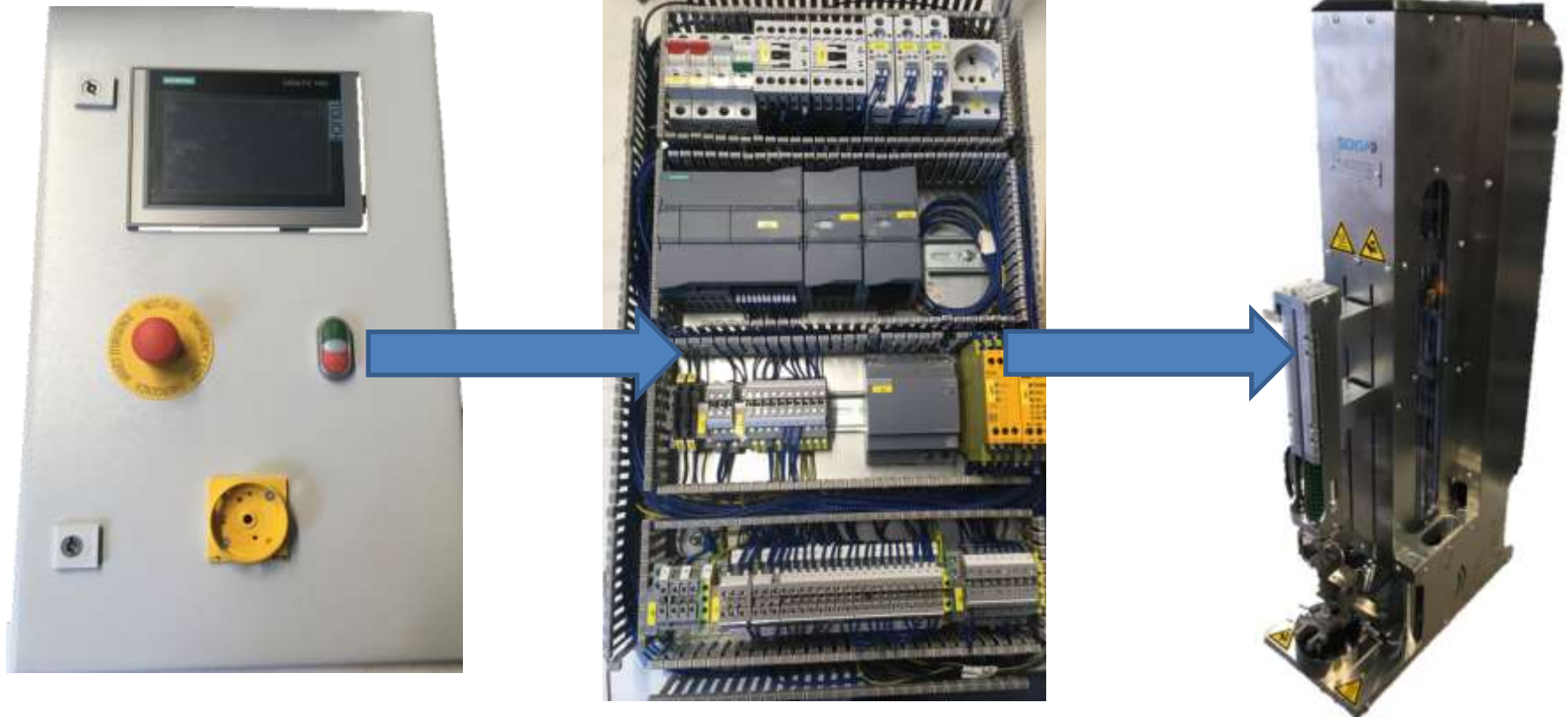
Details



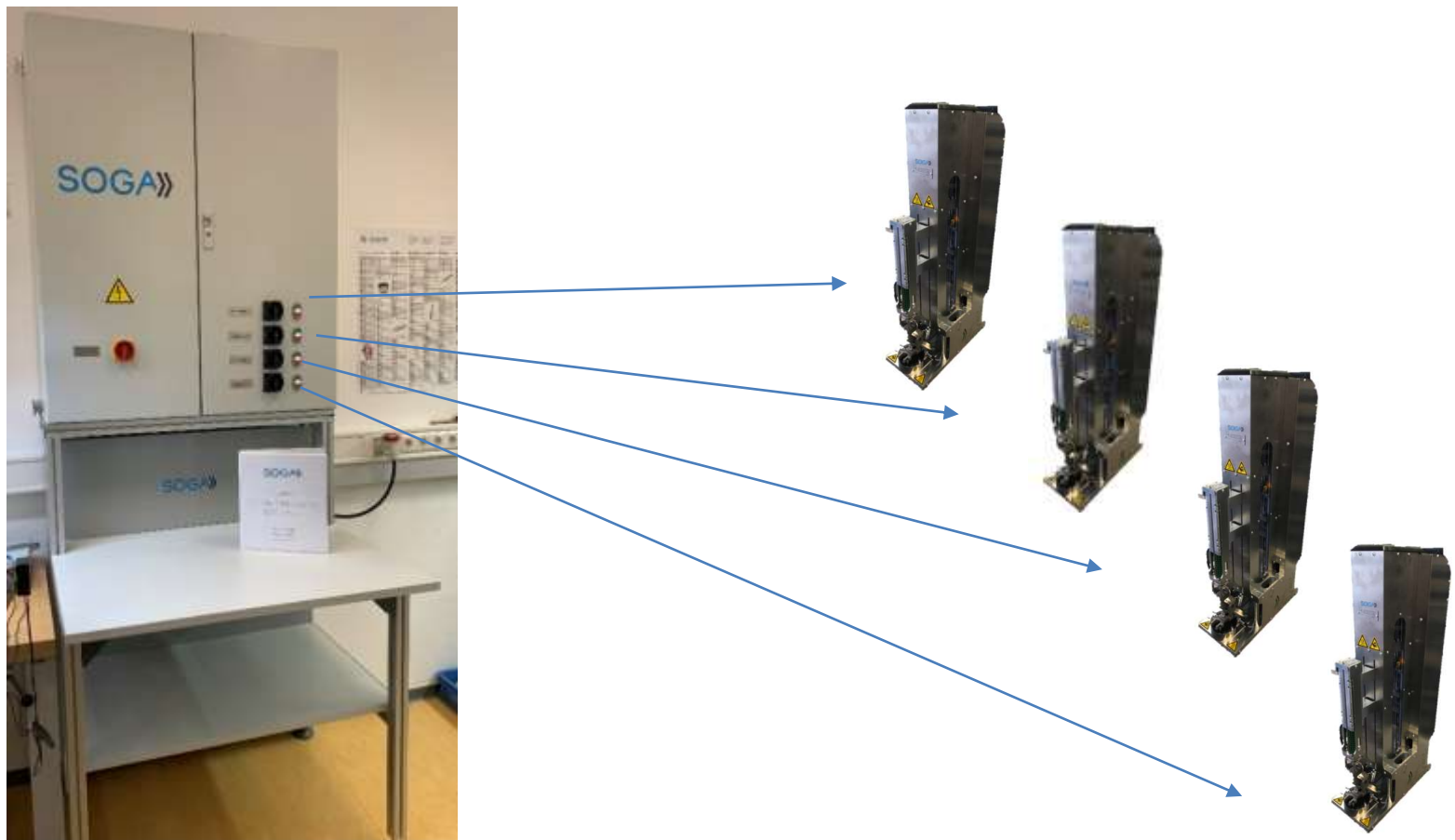
Dimensions



Single process controller



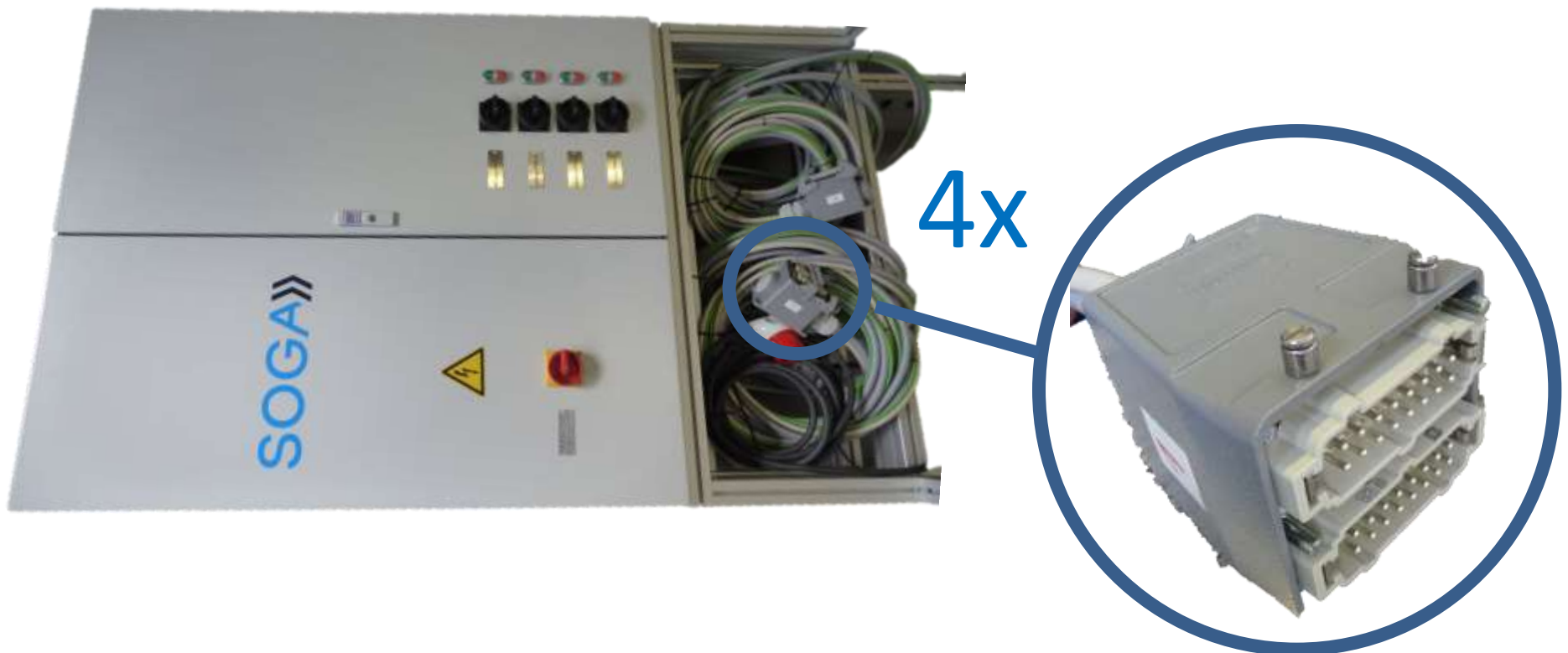
Controller for four crimp-presses



Controller for four crimp-presses



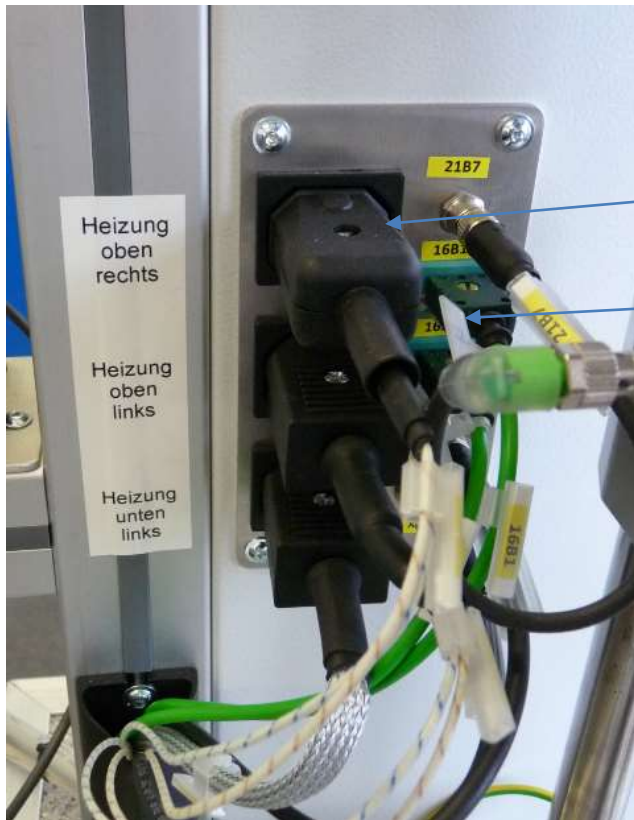
SOGA plug & play system



Dimensions of the controller



Plug & play-system of the connectors



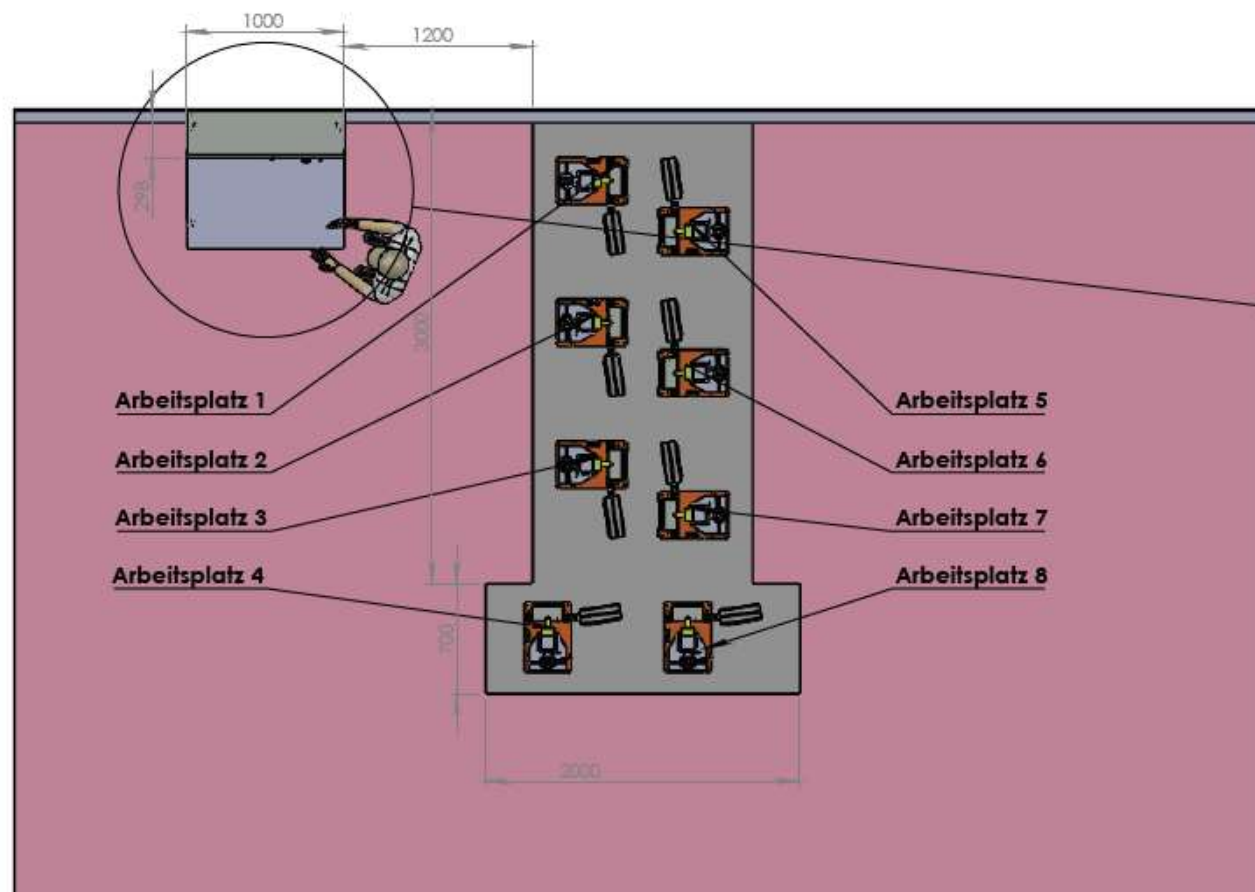
3x Heating sensor socket

2x Temperature sensor

User interface



Solution: Workspace for 8 employees



SOGA»

medical



Medical solutions

SOGA Gallenbach GmbH | Villinger Straße 5a | 75179 Pforzheim | www.soga.de | info@soga.de
Medical solutions - aus dem Zentrum der Präzisionstechnik Pforzheim